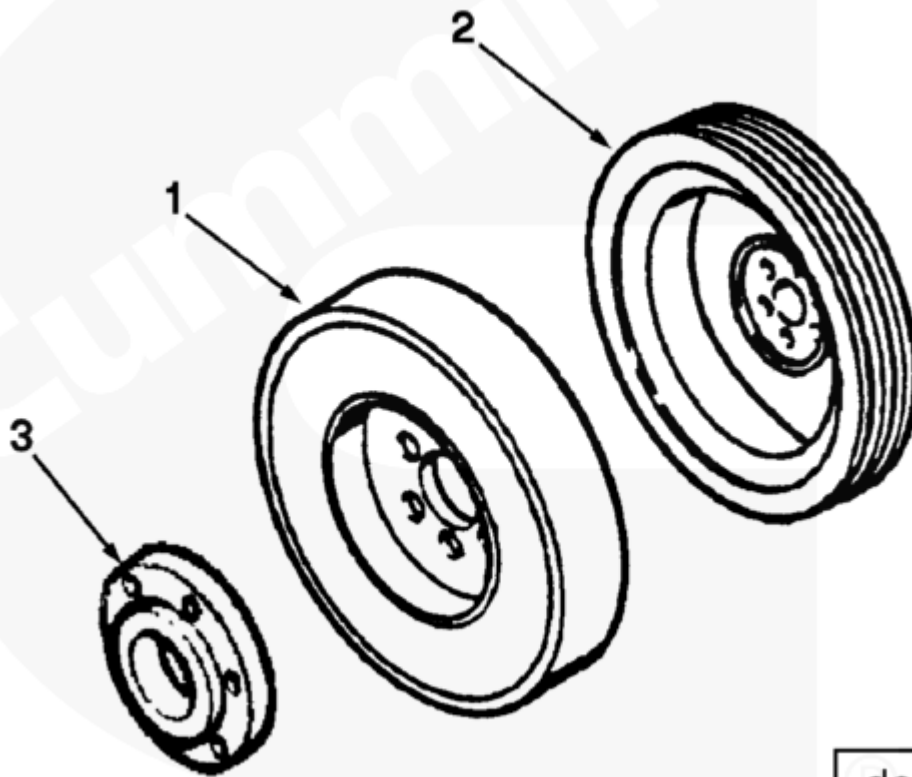




Parts Catalog - Option Detail

Electronic Parts Catalog - Option Detail				
Option	Group	Graphic	Film Card	Date
DA1124	01.02.2	da100ge	F	15-AUG-91
Engines	NH/NT 855, NT495, NT743, NTA855 N106			

©Cummins Inc



da100ge

[SMALL](#) | [MEDIUM](#) | [LARGE](#)

Cart	Ref No	Part Number	Part Description	Required	Remarks
View My Cart					
		DA1124	Vibration Damper		
					Vibration Damper
					Raw water pump driving crank
					pulley and medium size
					viscous damper with adapter

					for front power takeoff from
					crankshaft. Damper suitable
					for naturally aspirated
					marine and generator set
					models and turbocharged
					construction, locomotive and
					power unit models.
<input type="checkbox"/>	1	211915	Vibration Damper	1	Recon equivalent 211915 RX
<input type="checkbox"/>	2	3010320	Crankshaft Pulley	1	
<input type="checkbox"/>	3	212112	Power Take-Off Flange	1	

© 2019 Cummins Inc., Box 3005, Columbus, IN 47202-3005 U.S.A.
Terms of Use and Disclaimers | Recommended System Requirements
Need Assistance? Please click on the Contact Us button in the top right corner of any page.